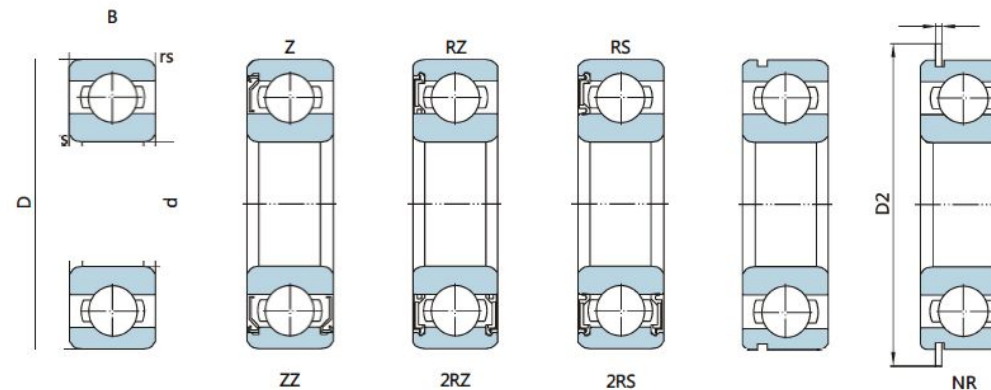


ZYS 6300 series deep groove ball bearing

ZYS 6300 Series bearing is processed with larger balls and heavier races which can offer greater radial load, thrust load and combined load capacity for a given bore size. 6300 Series bearings are used for machines and parts with heavy load. ZYS can provide four types of 6300 series bearings: OPEN type (No Shields), ZZ type (Metal Shields), 2RS type (Contact Rubber Seals), 2RZ type (Non-contact Rubber Seals).

Application of ZYS 6300 Series bearings: Household appliances, Agricultural equipment, Motors, Textile machinery, Printing Machinery, Automotive applications, Power tools.



Bearing Model						Dimension						Basic Load rating (kN)	Weight (kg)	
Standard type	shield	seal		With snap ring groove	With snap ring	d	D	B	r _{min}	D2 (max)	F max	Cr	Cor	
635	ZZ	2RZ	2RS	N	NR	5	19	6	0.3	-	-	2.34	0.95	0.0080
636	ZZ	2RZ	2RS	N	NR	6	22	7	0.3	-	-			0.0134
637	ZZ	2RZ	2RS	N	NR	7	-	-	-	-	-			-
638	ZZ	2RZ	2RS	N	NR	8	28	9	0.3	-	-			0.0290
639	ZZ	2RZ	2RS	N	NR	9	-	-	-	-	-			-
6301	ZZ	2RZ	2RS	N	NR	12	37	12	1	41.3	1.12	9.70	4.20	0.060
6302	ZZ	2RZ	2RS	N	NR	15	42	13	1	46.3	1.12	11.4	5.40	0.082

6303	ZZ	2RZ	2RS	N	NR	17	47	14	1	52.7	1.12	13.5	6.55	0.115
6304	ZZ	2RZ	2RS	N	NR	20	52	15	1.1	57.9	1.12	15.9	7.80	0.141
6305	ZZ	2RZ	2RS	N	NR	25	62	17	1.1	67.7	1.7	22.5	11.6	0.219
6306	ZZ	2RZ	2RS	N	NR	30	72	19	1.1	78.6	1.7	28.1	16.0	0.350
6307	ZZ	2RZ	2RS	N	NR	35	80	21	1.5	86.6	1.7	33.2	19.0	0.454
6308	ZZ	2RZ	2RS	N	NR	40	90	23	1.5	96.5	2.46	31.4	22.4	0.639
6309	ZZ	2RZ	2RS	N	NR	45	100	25	1.5	106.5	2.46	52.7	31.5	0.836
6310	ZZ	2RZ	2RS	N	NR	50	110	27	2	116.6	2.46	61.8	38.0	1.05
6311	ZZ	2RZ	2RS	N	NR	55	120	29	2	129.7	2.82	71.5	45.0	1.35
6312	ZZ	2RZ	2RS	N	NR	60	130	31	2.1	139.7	2.82	81.9	52.0	1.70
6313	ZZ	2RZ	2RS	N	NR	65	140	33	2.1	149.7	2.82	92.3	60.0	2.10
6314	ZZ	2RZ	2RS	N	NR	70	150	35	2.1	159.7	2.82	104	68.0	2.50

6315	ZZ	2RZ	2RS	N	NR	75	160	37	2.1	169.7	2.82	114	76.5	3.00
6316	ZZ	2RZ	2RS	N	NR	80	170	39	2.1	182.9	3.1	124	86.5	3.60
6317	ZZ	2RZ	2RS	N	NR	85	180	41	3	192.9	3.1	133	96.5	4.25
6318	ZZ	2RZ	2RS	N	NR	90	190	43	3	202.9	3.1	143	108	4.90
6319	ZZ	2RZ	2RS	N	NR	95	200	45	3	212.9	3.1	153	119	5.75
6320	ZZ	2RZ	2RS	N	NR	100	215	47	3	227.8	3.1	174	140	7.00
6321	ZZ	2RZ	2RS	N	NR	105	225	49	3	237	3.5	182	153	8.25
6322	ZZ	2RZ	2RS	N	NR	110	240	50	3	252	3.5	205	178	9.54
6324	ZZ	2RZ	2RS	-	--	120	260	55	3	--	-	228	207	12.2
6326	ZZ	2RZ	2RS	-	--	130	280	58	4	--	-	229	216	18.0
6328	ZZ	2RZ	2RS	-	--	140	300	62	4	--	-	251	245	22.0
6330	ZZ	2RZ	2RS	-	--	150	320	65	4	--	-	274	284	22.7

6332	ZZ	2RZ	2RS	-	--	160	340	68	4	--	-	278	287	26.2
6334	ZZ	2RZ	2RS	-	--	170	360	72	4	--	-	325	355	36.6
6336	ZZ	2RZ	2RS	-	--	180	380	75	4	--	-	355	405	43.1
6338	ZZ	2RZ	2RS	-	--	190	400	78	5	--	-	355	415	49.7
6340	ZZ	2RZ	2RS	-	--	200	420	80	5	--	-	380	445	55.3
6344	ZZ	2RZ	2RS	-	--	220	460	88	5	--	-	410	520	73.9
6348	ZZ	2RZ	2RS	-	--	240	500	95	5	--	-	470	625	94.4
6352	ZZ	2RZ	2RS	-	--	260	540	102	6	--	-	505	710	118
6356	ZZ	2RZ	2RS	-	--	280	580	108	6	--	-	570	840	144